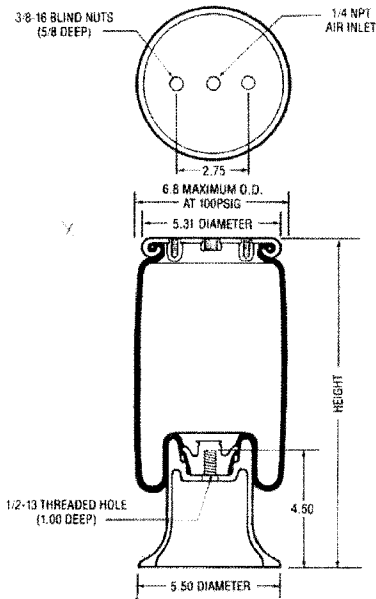


CONSULT FACTORY
BEFORE USING AS
AIRMOUNT

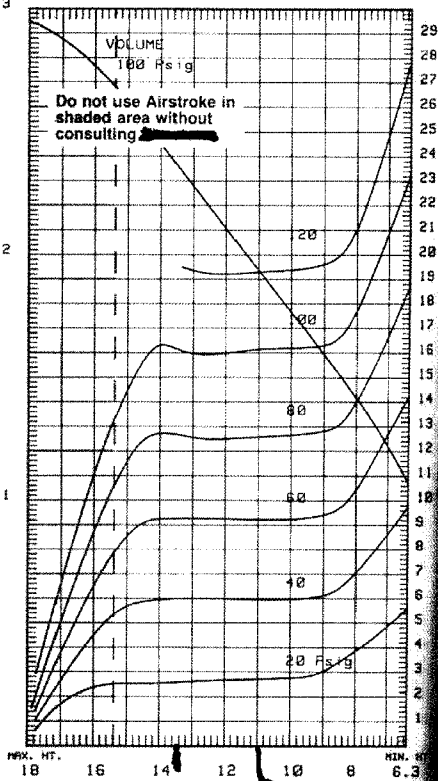
Description		Order No.
Style	Blind nuts, 1.4 NPT	WO1-358-9327
Two		
Ply		
Bellows		
Assembly weight	6.0 lbs.	



NOTE: Bellows will not compress properly with less than 10 PSIG internal pressure.

NOTE: This part is also available with an upper bead ring (rather than end plate.) SEE PAGE 9.

VOLUME (WITHOUT BUMPER) CU IN X100



SEE PAGE 12 for instructions on how to use chart.

Dynamic Characteristics at 13.0 in. Design Height
(Required for Airmount isolator design only)

Gage Pressure (PSIG)	Volume @ 100 PSIG 226 in ³	Load (lbs.)	Spring Rate (lbs. in.)	Natural Frequency	
				CPM	HZ
40	600	87	71	1.19	
60	930	120	67	1.12	
80	1,250	141	63	1.05	
100	1,590	184	64	1.06	

Force Table (Use for Airstroke actuator design)

Assembly Height (in.)	Volume @ 100 PSIG (in ³)	Pounds Force				
		@ 20 PSIG	@ 40 PSIG	@ 60 PSIG	@ 80 PSIG	@ 100 PSIG
15.0	263	250	570	850	1,160	1,450
13.0	228	260	600	930	1,250	1,590
11.0	194	270	600	920	1,260	1,610
9.0	160	300	610	940	1,280	1,630
7.0	122	480	860	1,270	1,660	2,090