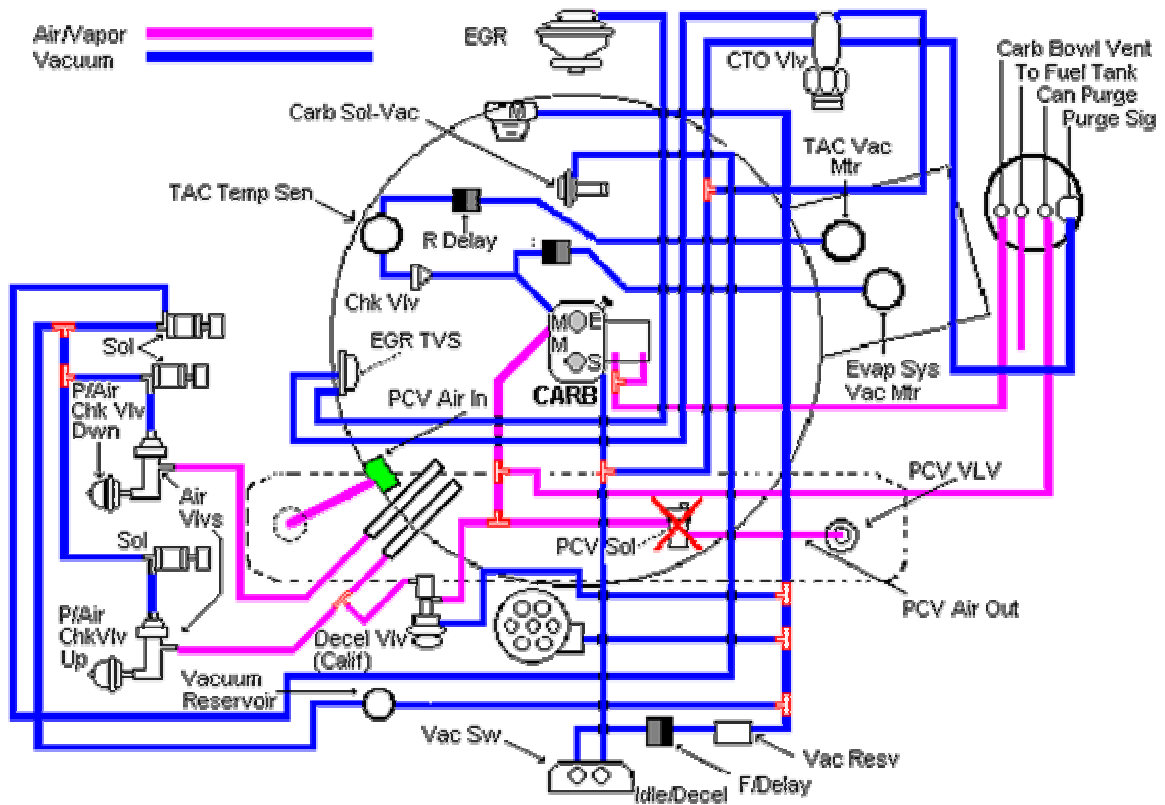
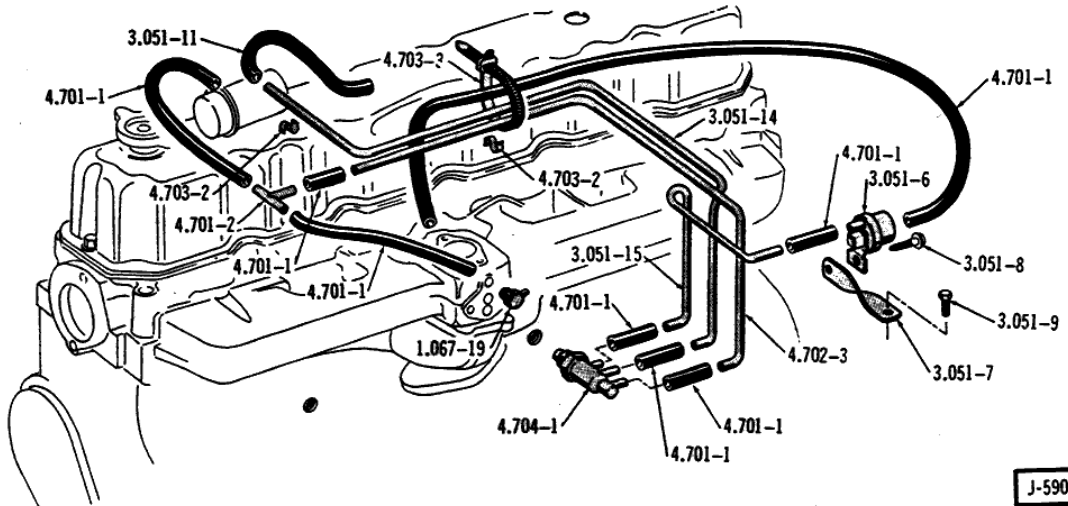
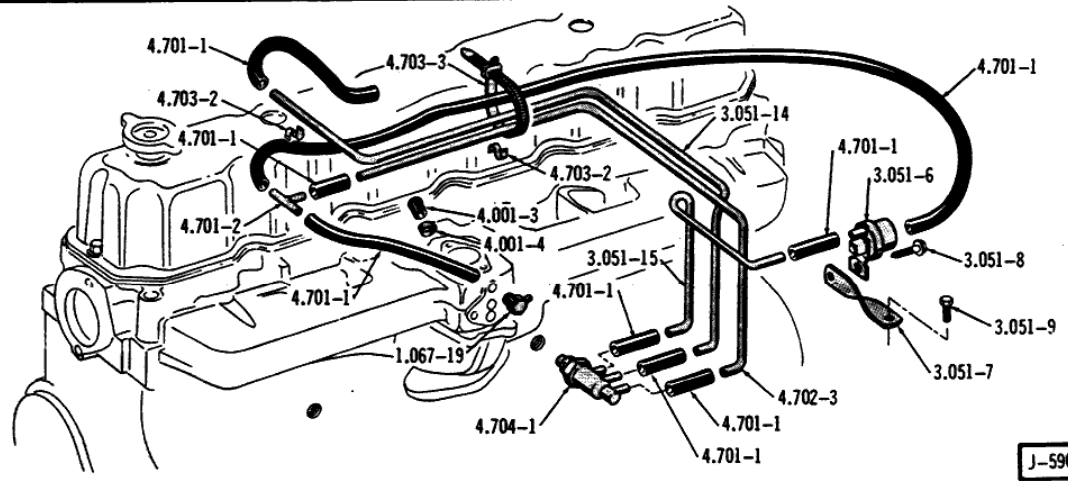


## Infos bez. Verlegung der Unter-, & Überdruckschläuche bei verschiedenen Modellen von JEEP

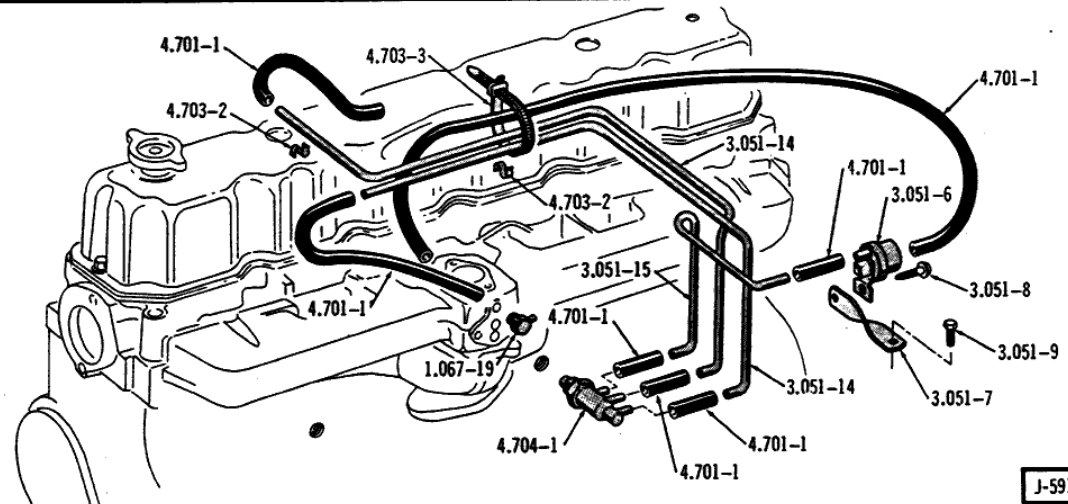




VACUUM ADVANCE MODULATION SYSTEM . . . 10-20-40 (SIX)



VACUUM ADVANCE MODULATION SYSTEM . . . 80 (SIX-E/ CALIF)



VACUUM ADVANCE MODULATION SYSTEM . . . 80 (SIX-CALIF)

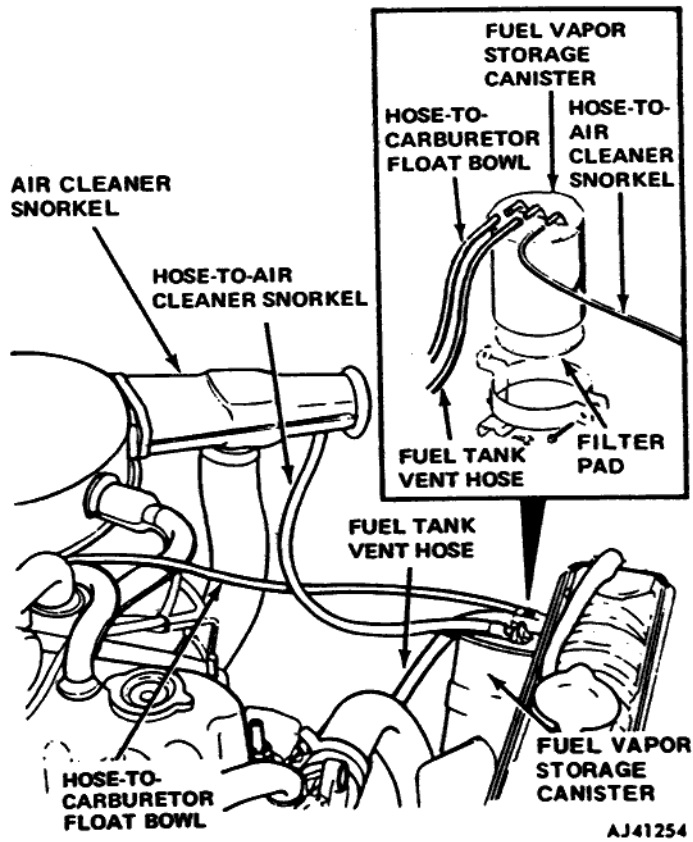
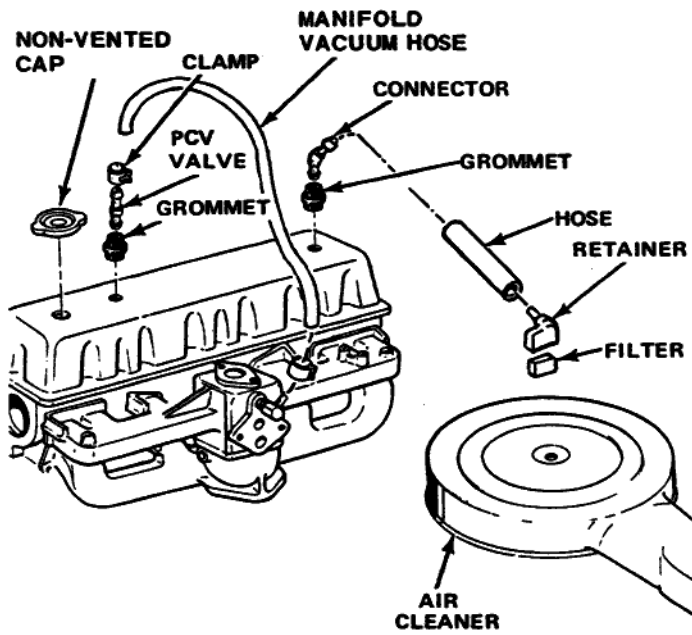
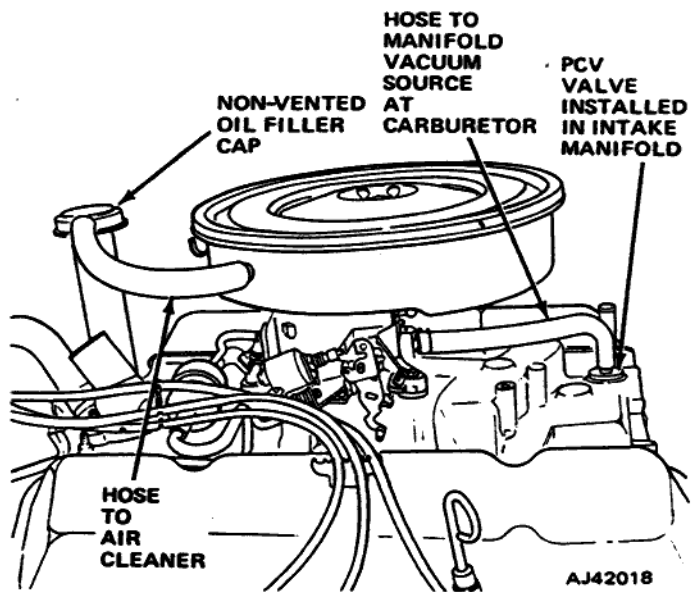


Fig. 4A-20 Fuel Vapor Storage Canister—Six-Cylinder Shown



AJ41256

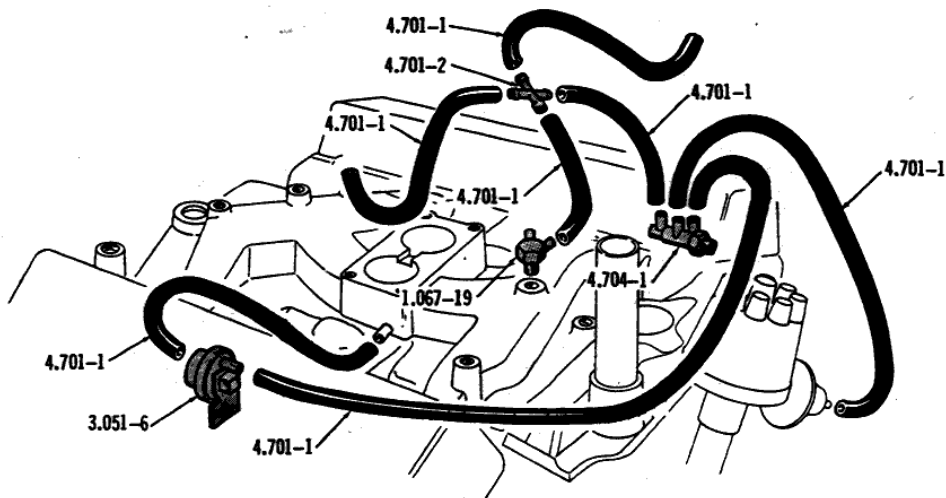
Fig. 4A-22 PCV System—Six-Cylinder



AJ42018

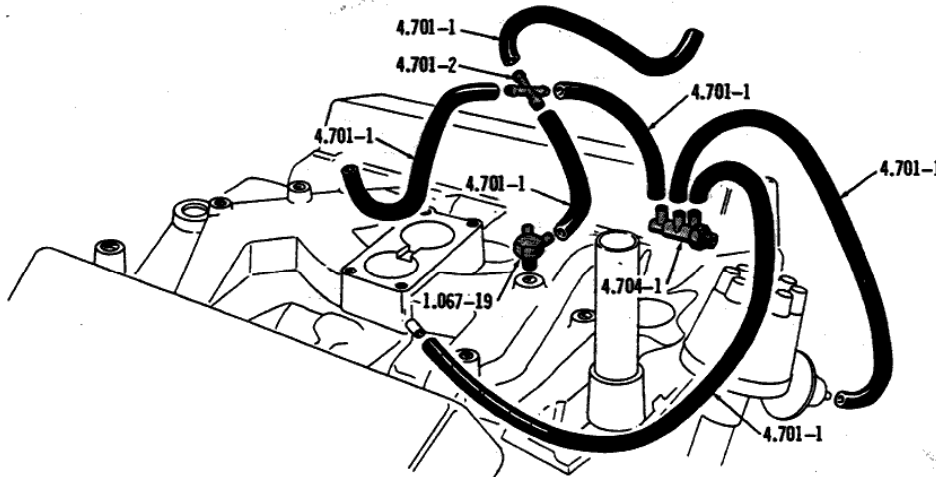
Fig. 4A-23 PCV System—V-8





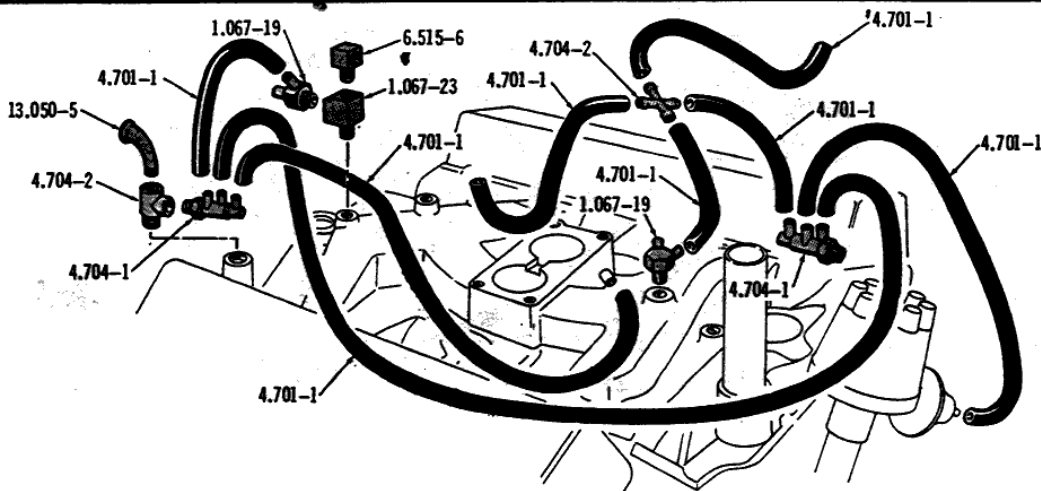
J-5914

**VACUUM ADVANCE MODULATION SYSTEM . . . 10-25-45 (360-WHDC-E/CALIF), 1974 80 (V8-E/CALIF), 1975 80 (V8-CALIF)**



J-5915

**VACUUM ADVANCE MODULATION SYSTEM . . . 10-25-45 (401-E/CALIF), 26-46 (V8-WHDC)**



J-5916

**VACUUM ADVANCE MODULATION SYSTEM . . . 26-46 (V8-LHDC)**

